

# Preparation unit——GA Series

## GAL Series Lubricator



### Symbol



### Product feature

1. The structure of oil dripping adopts gap seal type, which makes the adjustment of oil supply more reliable.
2. Oil feed ring can only make one full turn. The quantity of oil supply basically takes on linear distribution. The quantity of oil supply can be generally calculated according to the position of graduation ring.
3. Special drip nozzle structure will produce negative pressure in oil dripping outlet and the mist flow is minimal.
4. Three material of bowl are available: PC, Nylon and metal.
5. Filling of oil while the lubricator is under pressure is made possible, and the oil bowl is large.
6. The bracket can be selected for installation.

### Specification

| Model                 | GAL200-06               | GAL200-08 | GAL300-08 | GAL300-10 | GAL300-15 | GAL400-10 | GAL400-15 | GAL500-20 | GAL600-20 | GAL600-25 |
|-----------------------|-------------------------|-----------|-----------|-----------|-----------|-----------|-----------|-----------|-----------|-----------|
| Fluid                 | Air                     |           |           |           |           |           |           |           |           |           |
| Port size [Note1]     | 1/8"                    | 1/4"      | 1/4"      | 3/8"      | 1/2"      | 3/8"      | 1/2"      | 3/4"      | 3/4"      | 1"        |
| Pressure range        | 0.05~0.9MPa(7~130psi)   |           |           |           |           |           |           |           |           |           |
| Proof pressure        | 1.5MPa(215psi)          |           |           |           |           |           |           |           |           |           |
| Temperature range     | -5~70°C(Unfreeze)       |           |           |           |           |           |           |           |           |           |
| Recommended lubricant | ISO VG 32 or equivalent |           |           |           |           |           |           |           |           |           |
| Capacity of oil bowl  | 36CC                    |           | 98CC      |           |           | 185CC     |           | 225CC     | 410CC     |           |
| Weight                | 200g                    |           | 370g      |           |           | 660g      |           | 700g      | 1040g     |           |

[Note1] PT thread, G thread and NPT thread are available.

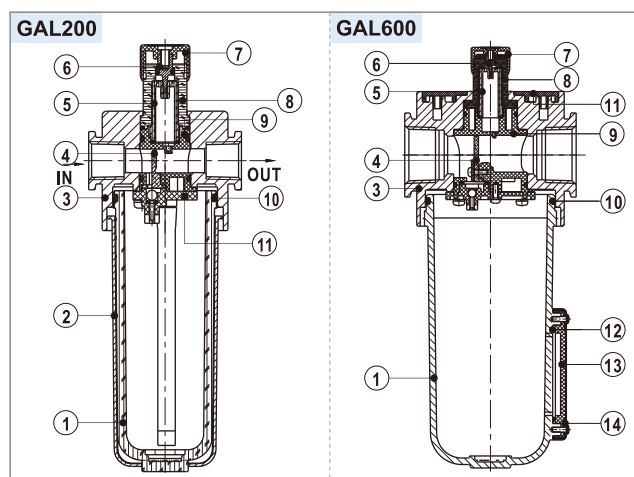
### Ordering code

GAL300 □ 10 □ G



| ① Model                         | ② Bowl material                                   | ③ Port size                      | ④ Accessories                     | ⑤ Thread type               |
|---------------------------------|---|----------------------------------|-----------------------------------|-----------------------------|
| GAL200: GA200 Series Lubricator | Blank : PC bowl<br>C: Metal bowl<br>N: Nylon bowl | 06: 1/8"<br>08: 1/4"             | Blank : Bracket<br>J : No bracket | Blank: PT<br>G: G<br>T: NPT |
| GAL300: GA300 Series Lubricator |   | 08: 1/4"<br>10: 3/8"<br>15: 1/2" |                                   |                             |
| GAL400: GA400 Series Lubricator | C: Metal bowl                                     | 10: 3/8"<br>15: 1/2"             |                                   |                             |
| GAL500: GA500 Series Lubricator |   | 20: 3/4"                         |                                   |                             |
| GAL600: GA600 Series Lubricator |   | 20: 3/4"<br>25: 1"               |                                   |                             |

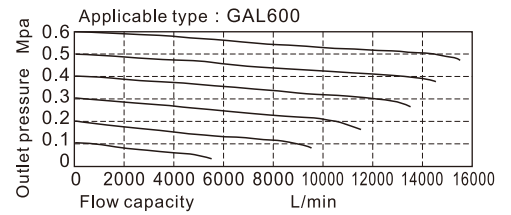
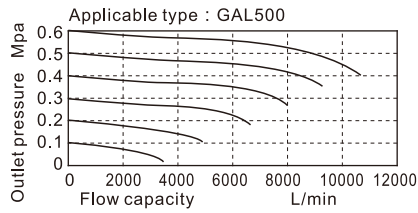
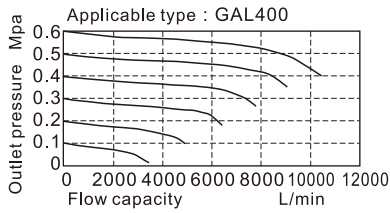
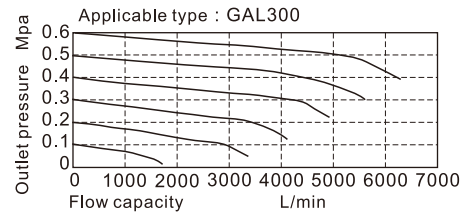
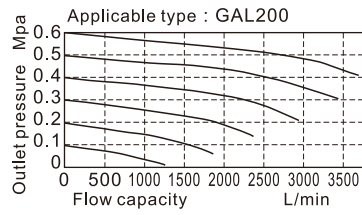
### Inner structure



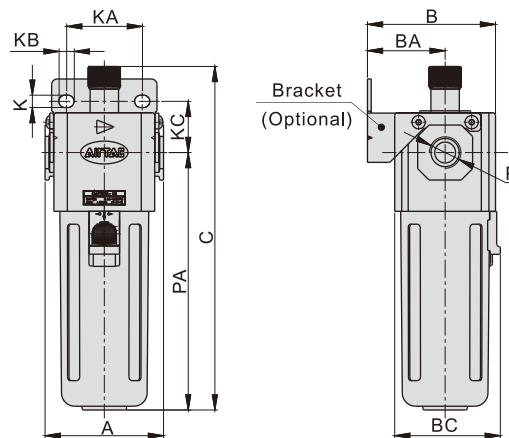
| No. | Item                      | Material                    |
|-----|---------------------------|-----------------------------|
| 1   | Oil bowl                  | Aluminum alloy \ PC \ Nylon |
| 2   | Meter cover               | SPCC                        |
| 3   | Body of lubricator        | Aluminum alloy              |
| 4   | Distance block            | PU                          |
| 5   | Drip pipe                 | PC                          |
| 6   | Ejector pin               | Brass                       |
| 7   | Adjusting ring            | POM                         |
| 8   | Adjusting looker          | PC                          |
| 9   | Sprayer body              | POM                         |
| 10  | O-ring                    | NBR                         |
| 11  | Sprayer bottom cap        | POM                         |
| 12  | Liquid meter seal         | NBR                         |
| 13  | Liquid meter inside cover | PC                          |
| 14  | Liquid meter cover        | SPCC                        |

## GAL Series Lubricator

### Flow chart



### Dimensions



| Model/Item | A    | B    | BA | C     | K   | KA | KB  | KC   | P    | PA    |
|------------|------|------|----|-------|-----|----|-----|------|------|-------|
| GAL200-06  | 52.5 | 54.5 | 33 | 146.5 | 5.4 | 27 | 8.4 | 23   | 1/8" | 107   |
| GAL200-08  | 52.5 | 54.5 | 33 | 146.5 | 5.4 | 27 | 8.4 | 23   | 1/4" | 107   |
| GAL300-08  | 62.5 | 67.5 | 41 | 181   | 6.5 | 40 | 8   | 27   | 1/4" | 136   |
| GAL300-10  | 62.5 | 67.5 | 41 | 181   | 6.5 | 40 | 8   | 27   | 3/8" | 136   |
| GAL300-15  | 62.5 | 67.5 | 41 | 181   | 6.5 | 40 | 8   | 27   | 1/2" | 136   |
| GAL400-10  | 80   | 84   | 50 | 204.5 | 8.5 | 55 | 11  | 33.5 | 3/8" | 155   |
| GAL400-15  | 80   | 84   | 50 | 204.5 | 8.5 | 55 | 11  | 33.5 | 1/2" | 155   |
| GAL500-20  | 82   | 85   | 50 | 218.5 | 8.5 | 55 | 11  | 33.5 | 3/4" | 169   |
| GAL600-20  | 100  | 113  | 70 | 246   | 11  | 66 | 13  | 50   | 3/4" | 182.5 |
| GAL600-25  | 100  | 113  | 70 | 246   | 11  | 66 | 13  | 50   | 1"   | 182.5 |